

Self-Contained Freewheels

AL..KEED2



Back of
AL..KEED2

TYPE



Type AL..KEED2 is a roller type freewheel, self-contained, sealed and bearing supported, using two 160.. series bearings. Unit is delivered oil lubricated.

This combination is used as overrunning clutch as shown overleaf. In this design, a standard AL freewheel is connected to a flexible coupling for in-line mounting.

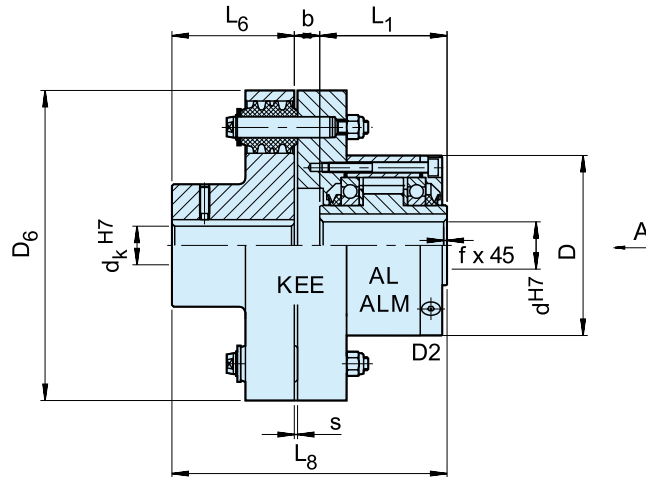
The KEE type is a high performance coupling used to damp torsional vibrations and to accept misalignment

without excess bearing loads. D2 cover is used to close the unit. It is equipped with two screws for oil filling, drain and level. We recommend the unit is supplied assembled. Please specify inner race direction of rotation seen from the D2 flange. Refer to manufacturer's catalogue to check coupling selection.

Self-Contained Freewheels

AL..KEED2

AL..KEED2



Type	Size	Overrunning speeds											Weight			
		KEE	T_{KN}	$n_{imax}^{1)}$	$n_{amax}^{2)}$	d_k^{H7}	D	L_1	D_6	L_6	L_8	b		s	f	[kg]
	d_k^{H7}															
AL..KEED2	12	2	55	2500	6000	12...25	62	42	97	35	90	13	3	0,5	3	
	15	3	122	1900	6000	16...30	68	52	112	40	110	18	3	0,8	4,4	
	20	3	122	1600	5600	16...30	75	57	112	40	114,5	17,5	3	0,8	4,6	
	25	4	288	1400	4500	20...40	90	60	130	50	127,5	17,5	3	1	6,4	
	30	5	500	1300	4100	20...50	100	68	160	60	148	20	2	1	11	
	35	6	725	1100	3800	25...65	110	74	190	75	168	19	2	1	17	
	40	6	1025	950	3400	25...65	125	86	190	75	178	17	2	1,5	19	
	45	6	1050	900	3200	25...65	130	86	190	75	178	17	2	1,5	19	
	50	7	1750	850	2800	30...75	150	92	225	90	207	25	2,5	1,5	31	
	55	8	2625	720	2650	35...90	160	104	270	100	233,5	29,5	3	2	47	
	60	8	2750	680	2450	35...90	170	114	270	100	244	30	3	2	49	
	70	10	5750	580	2150	45...110	190	134	340	140	312,5	38,5	3	2,5	90	
	80	11	8500	480	1900	55...125	210	144	380	160	340	36	3	2,5	107	
	90	12	13750	380	1700	65...140	230	158	440	180	388	50	3,5	3	170	
	100	14	20000	350	1450	75...160	270	182	500	200	422,5	40,5	3,5	3	230	
	120	16	30000	250	1250	85...180	310	202	560	220	471	49	4	3	330	
	150	18	43750	180	980	95...200	400	246	640	250	543	47	4	4	500	
200	22	97500	120	750	125...250	520	326	880	320	700,5	54,5	4,5	5	965		
250	28	250000	100	620	160...320	610	396	1160	400	868	72	5	5	1725		
ALM..KEED2	25	4	288	1100	2800	20...40	90	60	130	50	127,5	17,5	3	1	6,4	
	30	5	588	1000	2500	20...50	100	68	160	60	148	20	2	1	11	
	35	6	838	900	2400	25...65	110	74	190	75	168	19	2	1	17	

NOTES

- 1) Inner race overrunt
- 2) Outer race overruns

Keyway to DIN 6885.1

When ordering, please specify bore ϕd_k and direction of rotation seen from arrow „A“: „R“ Inner race overruns in clockwise direction, „L“ Inner race overruns in counterclockwise direction

» Refer to mounting and maintenance instructions page 12 to 13

MOUNTING EXAMPLE

